

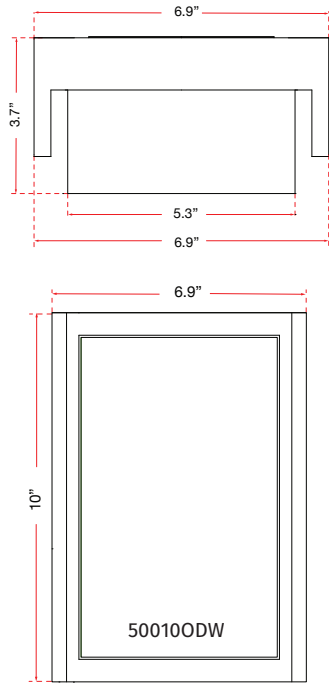


ABRA MODEL **500100DW-SL**

Wet Location Miter Glass LED Wall

FAMILY NAME **Titon**

UPC **00810035190702**



FIXTURE MATERIAL				FIXTURE DIMENSIONS IN INCHES										
Frame Material	Finishes Available	Diffuser Type	Diffuser Finish	Diameter	Height	o.a.h	Width	Length	Ext	Weight	ADA	Location	Rating	Compliance
Steel	SL-Silica MB-Matt Black	Glass	Frosted		10	10	6.9		3.7	7	Compliant	Wall Mount only	Wet Location	cETL
LAMPING										Compatible Dimmers	Junction Box Type	SUPPLIED		
Lamp Type	Lamp qty	Wattage	Max Wattage	Base	Kelvin	CRI	Initial Lumen's	Delivered Lumen's	Voltage		Standard 4 x 4 Octagon Box			
LED	1	15w	15w	Solid State Module	3000k	90+	1275	893 estimated	120v					
SPECIAL NOTES														

ABRA LIGHTING
NEOTERIC DESIGN

4575 Carter Court Chino California 91710
Phone: 949-940-1155 • Toll Free 800-295-7121
www.abralighting.com

Project Name			
Date		Type	